

Rotating vices

399-...N

SAM Outillage

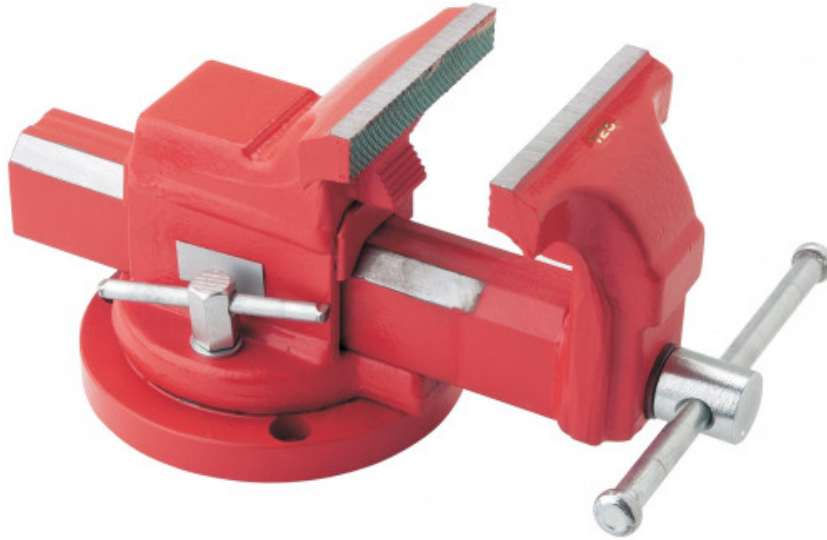
10 rue Camille de Rochetaillée
42000 Saint-Etienne - France

RCS Saint-Etienne B 338 002 231 | SAS au capital de 8 189 583 €

<https://www.sam-outillage.com/>

Photos and texts not contractually binding. Do not litter. Document generated on 2024-04-23 16:08:00





DESCRIPTION

Rotating vices

- multi-purpose vice
- replaceable jaws
- steel cage, slide head and steel jaw
- compensation for play system
- with a pipe grip system
- lacquered presentation

SPECIFIC DATA

SAM Outillage

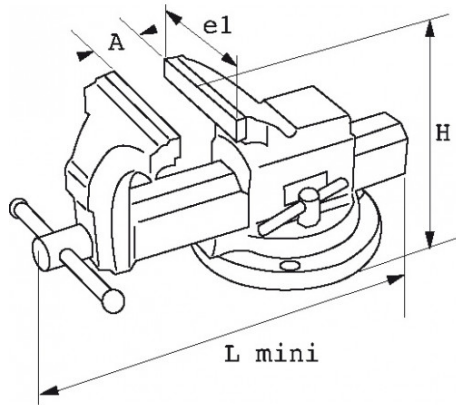
10 rue Camille de Rochetaillée
42000 Saint-Etienne - France

RCS Saint-Etienne B 338 002 231 | SAS au capital de 8 189 583 €

<https://www.sam-outillage.com/>

Photos and texts not contractually binding. Do not litter. Document generated on 2024-04-23 16:08:00





Sales reference	L (mm)	Weight (kg)	H (mm)	e1 (mm)	A maxi mm	Guarantee
399-3N	360	9.1	155	125	150	O
399-2N	320	6	135	100	130	O
399-4N	475	15	180	150	180	O

Guarantee applied

O | SAM TOOL guarantee.

Guarantee without time limit on the tools used under normal conditions.

[>> Find out more](#)

SAM Outillage

10 rue Camille de Rochetaillée
42000 Saint-Etienne - France

RCS Saint-Etienne B 338 002 231 | SAS au capital de 8 189 583 €

<https://www.sam-outillage.com/>

Photos and texts not contractually binding. Do not litter. Document generated on 2024-04-23 16:08:00

