



Bench vices

398-2

398-...

SAM Outillage

10 rue Camille de Rochetaillée
42000 Saint-Etienne - France

RCS Saint-Etienne B 338 002 231 | SAS au capital de 8 189 583 €

<https://www.sam-outillage.com/>

Photos and texts not contractually binding. Do not litter. Document generated on 2024-04-29 08:08:45





DESCRIPTION

Bench vices

Body and pedestal in light alloy.

Bits in interchangeable nylon.

Swivelling to 360°, inclination to 90°.

Presentation: lacquered

SPECIFIC DATA

SAM Outillage

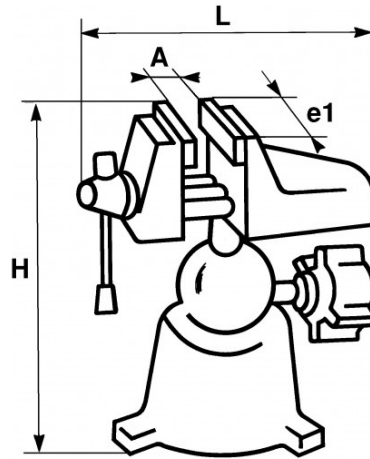
10 rue Camille de Rochetaillée
42000 Saint-Etienne - France

RCS Saint-Etienne B 338 002 231 | SAS au capital de 8 189 583 €

<https://www.sam-outillage.com/>

Photos and texts not contractually binding. Do not litter. Document generated on 2024-04-29 08:08:45





Designation	VICE FASTENED BY SCREW
Sales reference	398-2
L (mm)	130
Weight (g)	1370
H (mm)	165
A (mm)	70
e1 (mm)	63
fixing	Screw
Guarantee	M

Guarantee applied

M1 | SAM Equipment and Machine Guarantee:

Guarantee for a limited period, covering technical tools, devices and machines used under normal conditions. The length is given by the number after the letter M: 1 to 5 years

>> [Find out more](#)

SAM Outillage

10 rue Camille de Rochetaillée
42000 Saint-Etienne - France

RCS Saint-Etienne B 338 002 231 | SAS au capital de 8 189 583 €

<https://www.sam-outillage.com/>

Photos and texts not contractually binding. Do not litter. Document generated on 2024-04-29 08:08:45

