



Bench vices

398-...

SAM Outillage

10 rue Camille de Rochetaillée
42000 Saint-Etienne - France

RCS Saint-Etienne B 338 002 231 | SAS au capital de 8 189 583 €

<https://www.sam-outillage.com/>

Photos and texts not contractually binding. Do not litter. Document generated on 2024-04-29 13:33:42





DESCRIPTION

Bench vices

Body and pedestal in light alloy.

Bits in interchangeable nylon.

Swivelling to 360°, inclination to 90°.

Presentation: lacquered

SPECIFIC DATA

SAM Outillage

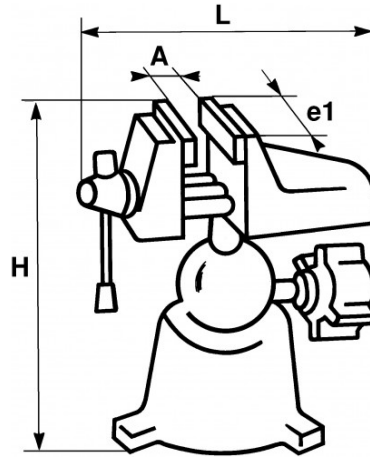
10 rue Camille de Rochetaillée
42000 Saint-Etienne - France

RCS Saint-Etienne B 338 002 231 | SAS au capital de 8 189 583 €

<https://www.sam-outillage.com/>

Photos and texts not contractually binding. Do not litter. Document generated on 2024-04-29 13:33:42





Sales reference	L (mm)	Weight (g)	H (mm)	A (mm)	e1 (mm)	fixing	Guarantee
398-1	130	1500	162	70	63	Suction cup	M
398-2	130	1370	165	70	63	Screw	M

Guarantee applied

M1 | SAM Equipment and Machine Guarantee:

Guarantee for a limited period, covering technical tools, devices and machines used under normal conditions. The length is given by the number after the letter M: 1 to 5 years

[>> Find out more](#)

SAM Outillage

10 rue Camille de Rochetaillée
42000 Saint-Etienne - France

RCS Saint-Etienne B 338 002 231 | SAS au capital de 8 189 583 €

<https://www.sam-outillage.com/>

