



## Adjusting vice

**397-...**

### SAM Outillage

10 rue Camille de Rochetaillée  
42000 Saint-Etienne - France

RCS Saint-Etienne B 338 002 231 | SAS au capital de 8 189 583 €

<https://www.sam-outillage.com/>

Photos and texts not contractually binding. Do not litter. Document generated on 2024-05-08 21:27:27





## DESCRIPTION

### Adjusting vice

replaceable jaws

forged steel, induction hardening and rectified

monobloc jaws, working plane with anvil

lacquered presentation

## SPECIFIC DATA

### SAM Outillage

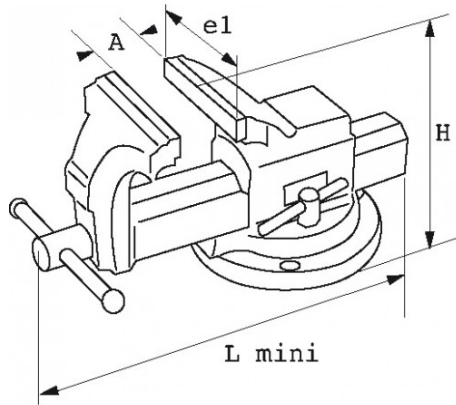
10 rue Camille de Rochetaillée  
42000 Saint-Etienne - France

RCS Saint-Etienne B 338 002 231 | SAS au capital de 8 189 583 €

<https://www.sam-outillage.com/>

Photos and texts not contractually binding. Do not litter. Document generated on 2024-05-08 21:27:27





Sales reference	L (mm)	Weight (kg)	H (mm)	e1 (mm)	A maxi mm	Guarantee
397-10N (not marketed)	310	7.000	130	100	130	O
397-12N (not marketed)	360	12.000	155	125	150	O

**Guarantee applied**

**O | SAM TOOL guarantee.**

Guarantee without time limit on the tools used under normal conditions.

>> [Find out more](#)

**SAM Outillage**

10 rue Camille de Rochetaillée  
42000 Saint-Etienne - France

RCS Saint-Etienne B 338 002 231 | SAS au capital de 8 189 583 €

<https://www.sam-outillage.com/>

Photos and texts not contractually binding. Do not litter. Document generated on 2024-05-08 21:27:27

