



## Claw hammer

### 313-PT-20N

#### SAM Outillage

10 rue Camille de Rochetaillée  
42000 Saint-Etienne - France

RCS Saint-Etienne B 338 002 231 | SAS au capital de 8 189 583 €

<https://www.sam-outillage.com/>

Photos and texts not contractually binding. Do not litter. Document generated on 2024-04-30 23:49:18





## DESCRIPTION

### Claw hammer

high carbon steel body

Chamfering of the end for a high security.short bit.

steel handle covered with a neoprene grip which damping impacts and absorbing vibrations

## STANDARDS / DIRECTIVES

NF ISO 15601

### SAM Outillage

10 rue Camille de Rochetaillée  
42000 Saint-Etienne - France

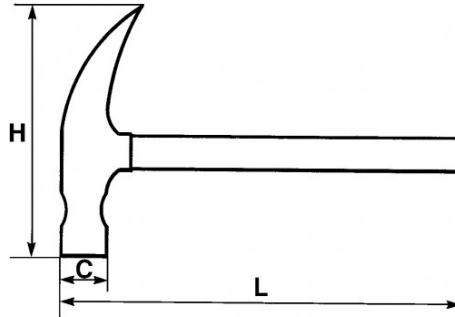
RCS Saint-Etienne B 338 002 231 | SAS au capital de 8 189 583 €

<https://www.sam-outillage.com/>

Photos and texts not contractually binding. Do not litter. Document generated on 2024-04-30 23:49:18



SPECIFIC DATA



Designation	CLAW HAMMER
Sales reference	313-PT-20N
L (mm)	320
Weight (g)	730
C (mm)	28
H (mm)	135
Guarantee	O   SAM TOOL guarantee.

**Guarantee applied**

**O | SAM TOOL guarantee.**

Guarantee without time limit on the tools used under normal conditions.

[>> Find out more](#)

**SAM Outillage**

10 rue Camille de Rochetaillée  
42000 Saint-Etienne - France

RCS Saint-Etienne B 338 002 231 | SAS au capital de 8 189 583 €

<https://www.sam-outillage.com/>

