

Impact sockets 1/2" "- 12 points short

19142-14

19142-...

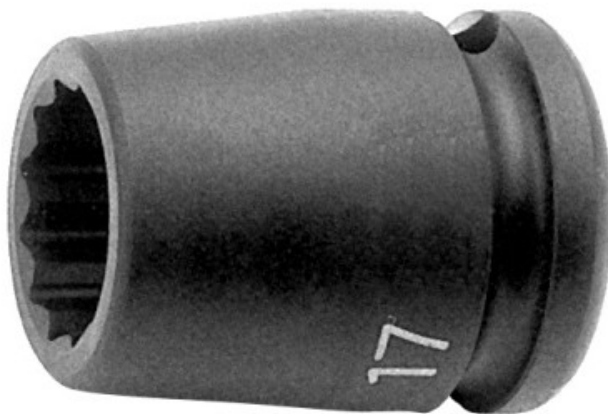
SAM Outillage

10 rue Camille de Rochetaillée
42000 Saint-Etienne - France

RCS Saint-Etienne B 338 002 231 | SAS au capital de 8 189 583 €

<https://www.sam-outillage.com/>





DESCRIPTION

Impact sockets 1/2" "- 12 points short

Short impact socket 1/2" 12-flat, 10 mm. Burnished finish.

SPECIFIC DATA

Designation	1/2 IMPACT SOCKET - 12-POINT
Sales reference	19142-14
Guarantee	O

Guarantee applied

O | SAM TOOL guarantee.

Guarantee without time limit on the tools used under normal conditions.

SAM Outillage

10 rue Camille de Rochetaillée
42000 Saint-Etienne - France

RCS Saint-Etienne B 338 002 231 | SAS au capital de 8 189 583 €

<https://www.sam-outillage.com/>

Photos and texts not contractually binding. Do not litter. Document generated on 2024-04-28 20:40:52



[>> Find out more](#)

PNEUMATIC

SAM Outillage

10 rue Camille de Rochetaillée
42000 Saint-Etienne - France

RCS Saint-Etienne B 338 002 231 | SAS au capital de 8 189 583 €

<https://www.sam-outillage.com/>

Photos and texts not contractually binding. Do not litter. Document generated on 2024-04-28 20:40:52

