

## Nail gun 15-50 mm

**1842**

### SAM Outillage

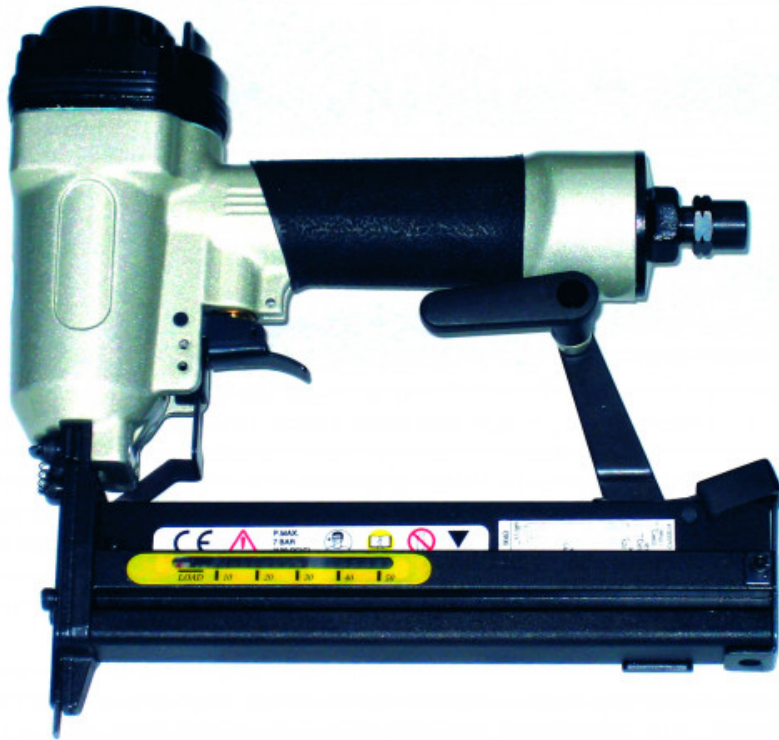
10 rue Camille de Rochetaillée  
42000 Saint-Etienne - France

RCS Saint-Etienne B 338 002 231 | SAS au capital de 8 189 583 €

<https://www.sam-outillage.com/>

Photos and texts not contractually binding. Do not litter. Document generated on 2024-05-03 13:15:14



**DESCRIPTION****Nail gun 15-50 mm**

Aluminium body. Linear staple feeder. Stroke-by-stroke operation. Powerful and economical. Ideal with a 100l/min hose.

**SPECIFIC DATA**

Designation	NAILER
Sales reference	1842
Weight (g)	1800
Guarantee	M1   SAM Equipment and Machine Guarantee:

**Guarantee applied****SAM Outillage**

10 rue Camille de Rochetaillée  
42000 Saint-Etienne - France

RCS Saint-Etienne B 338 002 231 | SAS au capital de 8 189 583 €

<https://www.sam-outillage.com/>

Photos and texts not contractually binding. Do not litter. Document generated on 2024-05-03 13:15:14



**M1 | SAM Equipment and Machine Guarantee:**

Guarantee for a limited period, covering technical tools, devices and machines used under normal conditions. The length is given by the number after the letter M: 1 to 5 years

[>> Find out more](#)

**SAM Outillage**

10 rue Camille de Rochetaillée  
42000 Saint-Etienne - France

RCS Saint-Etienne B 338 002 231 | SAS au capital de 8 189 583 €

<https://www.sam-outillage.com/>

Photos and texts not contractually binding. Do not litter. Document generated on 2024-05-03 13:15:14

